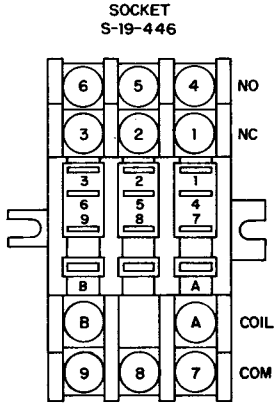
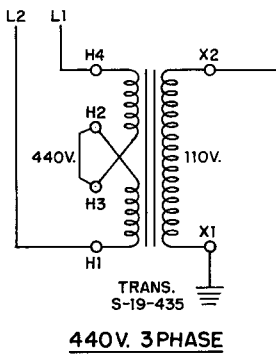
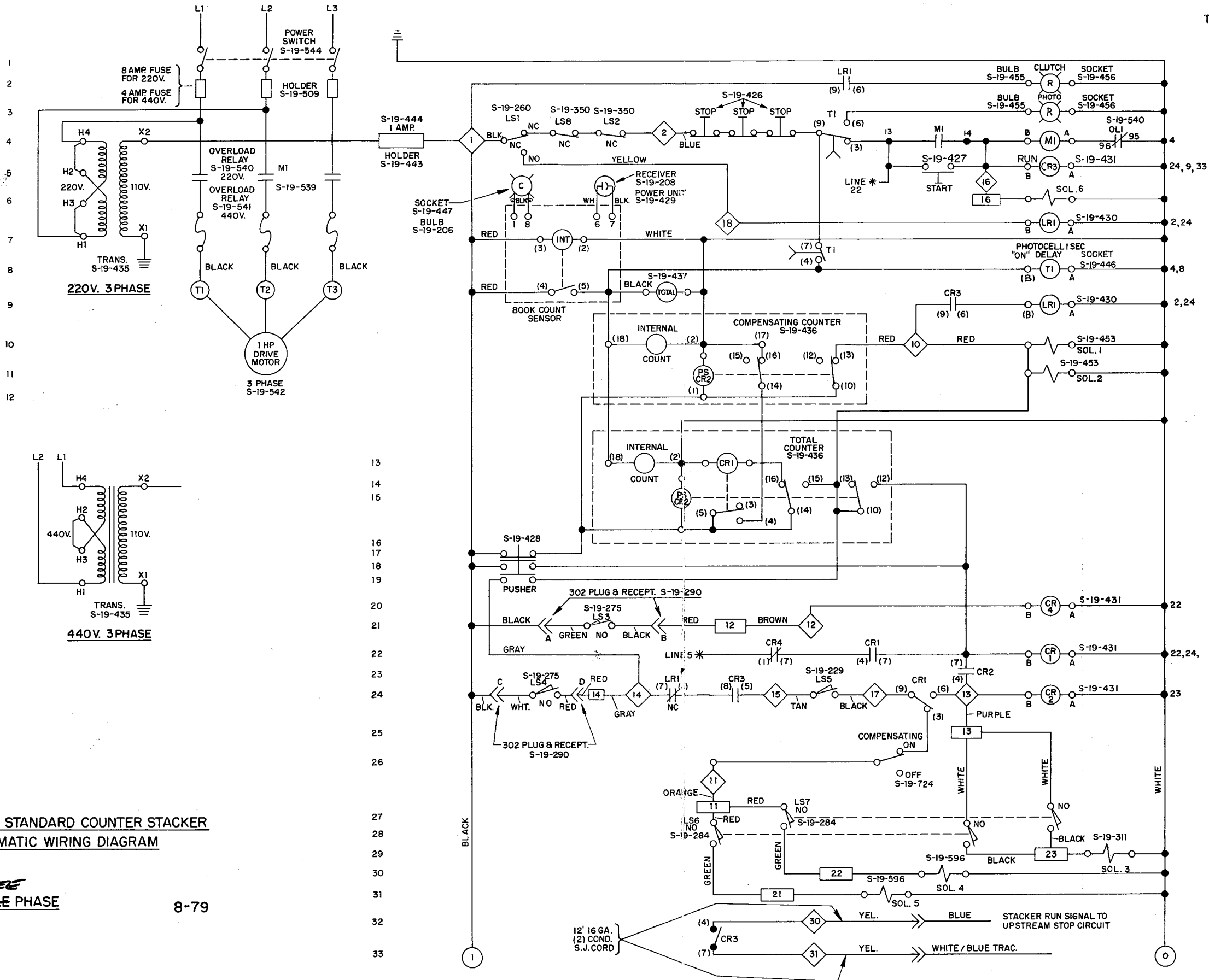


10.1 ELECTRICAL SCHEMATIC



- LIMIT SWITCHES ARE DESIGNATED AS FOLLOWS**
- LS1 SAFETY CLUTCH
 - LS2 SAFETY GUARD
 - LS3 PUSHER CYL. EXTENDED
 - LS4 PUSHER CYL. RETRACTED
 - LS5 FORK
 - LS6 TURNTABLE CYL. RETRACTED
 - LS7 TURNTABLE CYL. EXTENDED
 - LS8 SAFETY GUARD-TURNTABLE
- SOLENOIDS ARE DESIGNATED AS FOLLOWS**
- SOL1 SPRING CLUTCH, LEFT
 - SOL2 SPRING CLUTCH, RIGHT
 - SOL3 PUSHER SOLENOID
 - SOL4 TABLE SOLENOID CYL. RETRACTED
 - SOL5 TABLE SOLENOID CYL. EXTENDED
 - SOL6 SLOW START AIR SUPPLY
- ◇ DENOTES TERMINALS ON TERMINAL STRIP IN UPPER ELECTRICAL ENCLOSURE**
- DENOTES TERMINALS ON TERMINAL STRIP IN TURNTABLE JUNCTION BOX**
- T1 TIME DELAY RELAY**
LR1 MAGNETIC LATCH RELAY
M1 MOTOR STARTER RELAY
CR1,2,3 4, 120VAC 60HZ RELAY
- () DESIGNATES LOCATION OF TERMINALS ON COMPONENT**
- LR1 CLUTCH FAULT**
- △ DENOTES PLUG TO HT TRIMMER CIRCUITS**

RS-10 STANDARD COUNTER STACKER
 SCHEMATIC WIRING DIAGRAM

THREE SINGLE PHASE
 8-79