

ZA du Petit Rocher
3D Av Paul Séramy
F-77870 VULAINES
Tel : 01 64 23 69 88
Fax : 01 60 74 23 22
www.smg-systems.fr



EDELMANN
Rotatives offset



IN LOG
Finition Post Press



SPIRAVEYOR
Tours de séchage



EASYLINE
Matériel de Reliure



METRIS
Convoyeurs Stackers

DOCUMENTATION TECHNIQUE

Type : Embrayage Flippers RIMA
Modèle : CW et CCW
Marque : RIMA
Doc version : (2009)

*NB : Ce document est non contractuel, **SMG Systems** se réserve le droit de modifier tout élément sans préavis.*

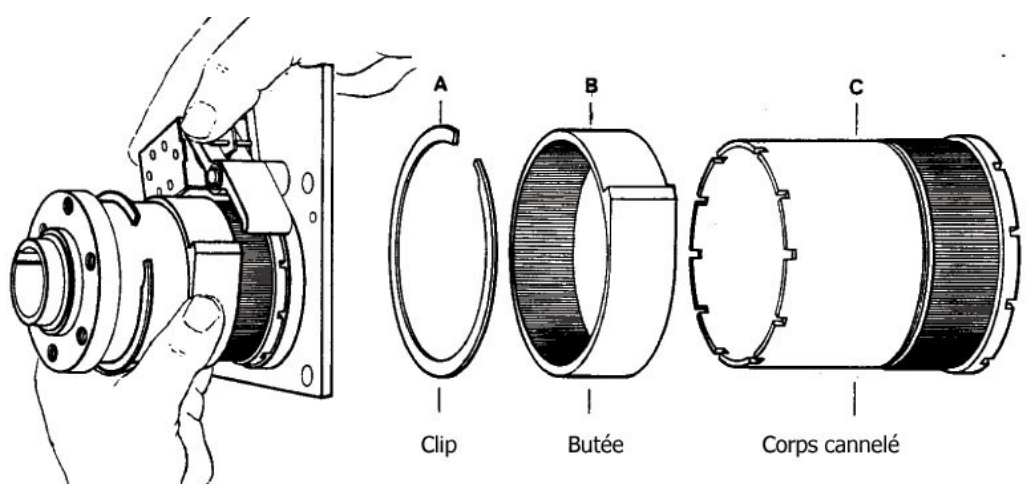
Stackers RIMA Embrayages Flippers



Il existe plusieurs modèles selon les versions de stackers :

	CCW (coté introduction)	CW (coté opérateur)
Les versions avec bobine 110V (avant 1993)	RIS 019 181	RIS 019 172
Les versions avec vérin pneumatiques (après 1993)	RIS 082 409	RIS 082 408

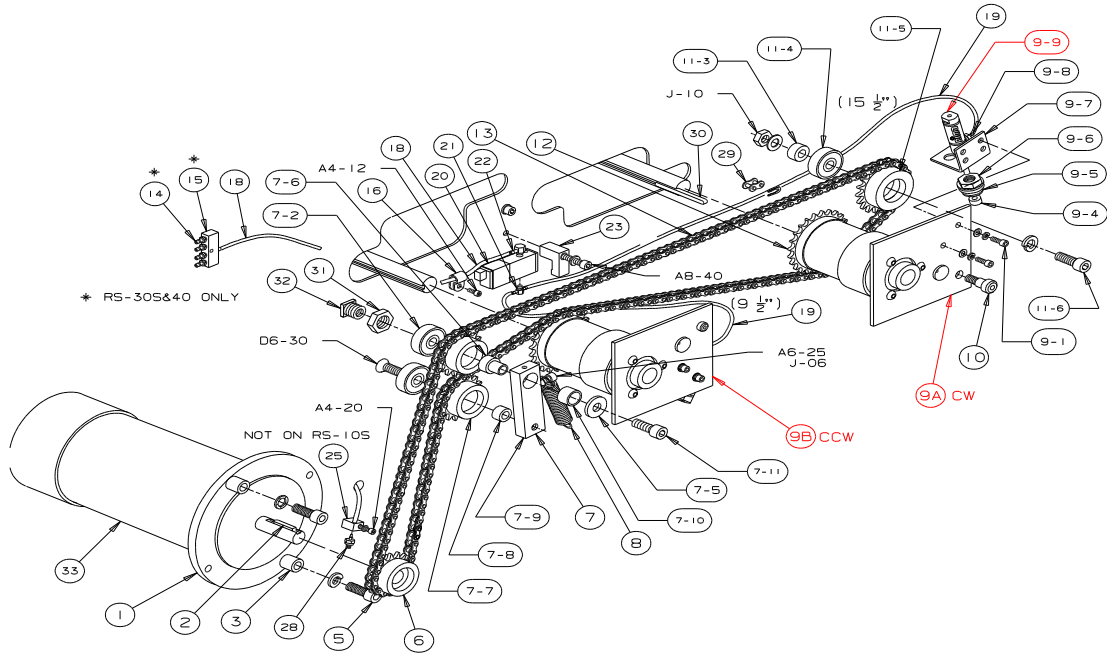
La position des flippers se règle en faisant varier l'orientation de la butée :



Retrouvez notre support technique en ligne sur www.smg-systems.fr

SMG Systems

Pièces détachées



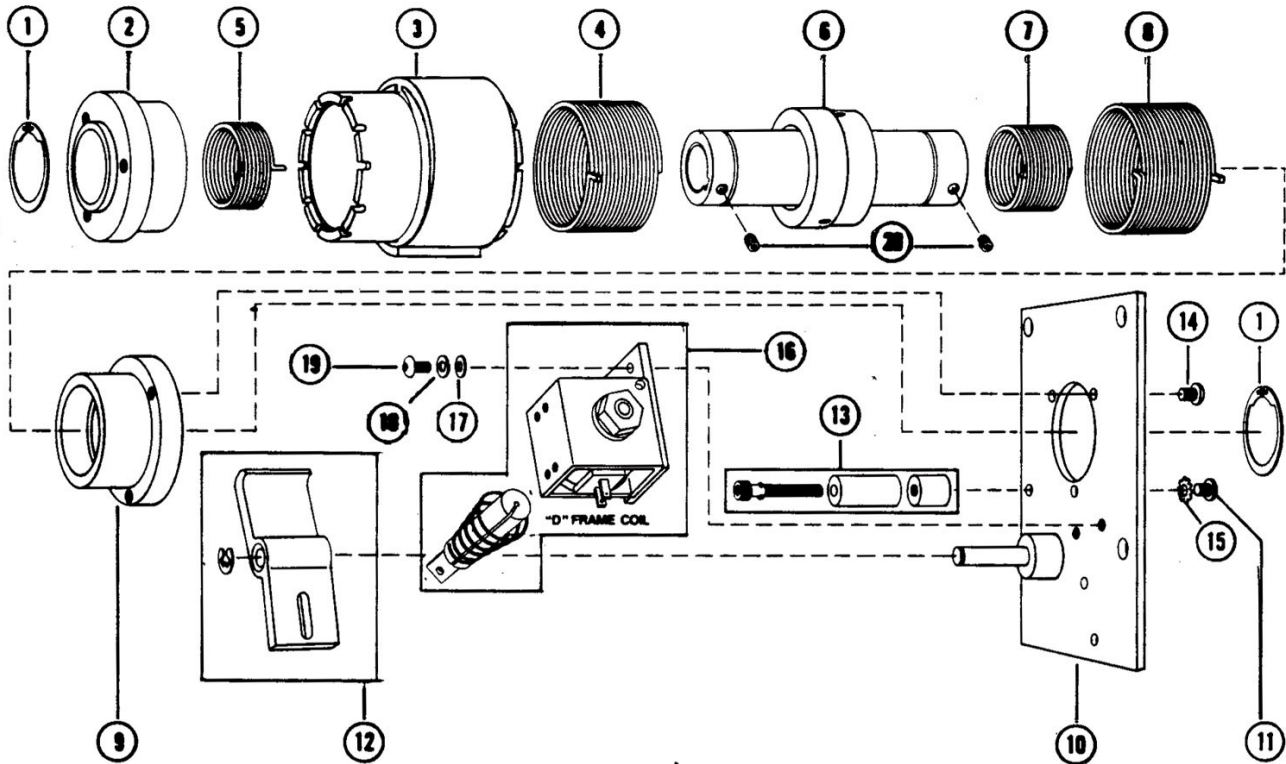
ITEM	QTY	PART NO.	DESCRIPTION	ITEM	QTY	PART NO.	DESCRIPTION
1	1	S-75-202	MOTOR ASSEMBLY CLUTCH DRIVE	25	1	S-40-192	BLOCK-CLAMP (CLUTCH ASSY)
1-1	1	S-20-106	MOTOR-DC (90V) 1/2 HP	24	1	A-210-24	SOC.HD.CAP SC. 5/16-18 x 1-1/2"
1-2	1	S-25-753	WIRE-FIXT 16 MTW GR-YL STR (4.67')	25	1	S-40-191	BLOCK-MTG. (AIR LINE) (CLUTCH ASSY)
1-3	1	S-19-670	WIRE-FIXTURE (4 MTW (RED) (4.67')	26	1	A-170-12	SOC.HD.CAP SC. 8-32 x 3/4"
1-4	1	S-19-669	WIRE-FIXT (4 MTW (BLACK) (4.67')	27	1	L-170	WASHER-LOCK #8
1-5	2	S-19-655	NUT-WIRE (3 x 20 MIN/4 x 16 MAX)	28	1	S-50-294	FITTING-BARB (STRT 10-32x1/16ID T)
1-6	1	S-19-651	TERMINAL-LOCK SPADE #8 (18T014 WIRE)	29	1	S-19-950	LINK-MASTER (SPRING CLIP #36)
1-7	1	S-19-287	CONDUIT-FLEX-LID TIGHT 1/2" (2.84')	29	2	S-19-854	KEY-3/16x2-1/2 (TWO ENDS ROUND)
1-8	2	S-19-202	CONNECTOR-STR-LID TIGHT 1/2"				
2	1	S-19-653	KEY 3/16 x 1" (ONE ROUND END)				
3	2	S-25-517	SPACER 3/8 x 5/8 x .6				
4	2	L-224	WASHER-LOCK 3/8 (SPLTT)				
5	2	A-220-20	SCR-SOC HD CAP 5/8-16 x 1-1/4"				
6	1	S-20-326	SPROCKET (+35 BS 16 5/8)				
7	1	S-75-148	IDLER ARM ASSEMBLY-CHAIN DRIVE				
7-1	1	A-220-16	SCR-SOC BUT HD CAP 5/8-16 x 1-1/4"				
7-2	2	S-19-194	BEARING-BALL 10x35mm				
7-3	1	S-19-119	SPACER 3/8 x 5/8 x 3/8 (IDLER)				
7-4	1	S-19-295	FITTING-GREASE 1/4-28				
7-5	1	A-200-16	SCR-SOC HD CAP 1/4-20 x 1"				
7-6	1	J-200	NUT (HEX) 1/4-20				
7-7	2	S-19-192	SPROCKET-CHAIN IDLER (MOD)				
7-8	1	S-19-277	SPACER 5/4 x 1/2 x 3/8				
7-9	1	S-19-191	ARM-IDLER (CHAIN)				
7-10	1	S-19-579	BEARING-NEEDLE (BH-BB-CH)1/2x3/4x1/2				
7-11	1	S-19-195	SCR-SOC HD SHLD (MOD)				
8	1	S-19-184	SPRING-EXTENSION				
9A	1	S-82-408	CLUTCH ASSEMBLY (CW)				
9B	1	S-82-409	CLUTCH ASSEMBLY (CCW)				
9-1	4	A-185-12	SCR-SOC HD CAP x 10-32 x 3/4"				
9-2	4	L-185	WASHER-LOCK #10 (SPLTT)				
9-3	4	K-185	WASHER-FLAT #10 (SAE)				
9-4	2	S-19-919	COLLAR 3/16" (SET SCREW TYPE)				
9-5	2	S-30-302	SPRING-COMPRESSION (CB-6 CLUTCH)				
9-6	2	S-30-268	NUT 7/16-20 (MOD)				
9-7	2	S-30-275	BRACKET-MTG (CLUTCH CYLINDER)				
9-8	2	S-30-294	FITTING-BARB (STR x10-32 x 1/16 IDT)				
9-9	2	S-30-152	CYLINDER-AIR				
10	2	B-220-06	SCR-SOC SHLD 3/8 x 1/2				
11	1	S-75-155	CHAIN TAKE-UP ASSEMBLY				
11-1	1	J-221	NUT (HEX JAM) 3/8-16				
11-2	1	K-220	WASHER-FLAT 3/8" (SAE)				
11-3	2	S-19-174	SPACER 3/8 x 3/4 x 3/8				
11-4	1	S-19-194	BEARING-BALL 10x35mm				
11-5	1	S-19-175	SPROCKET (MOD) (58B20)				
11-6	1	A-220-20	SCR-SOC HD CAP 5/8-16 x 1-1/4"				
12	2	S-19-171	SPROCKET (MOD) (55-24)				
13	1	S-19-177	CHAIN (+55 3/8 PITCH)				
14	1	S-75-487	MANIFOLD-AIR (CLUTCH)				
14-1	1	S-30-186	MANIFOLD-AIR				
14-2	2	S-19-597	FITTING-BARB				
14-3	1	S-25-195	FITTING-BARB (STRT. 10-32x ID)				
15	1	S-30-281	CLAMP PLATE (AIR MANIFOLD)				
16	1	L-185	WASHER-LOCK #10 (SPLTT)				
17	1	A-185-12	SOC.HD.CAP SC. 10-32 x 3/4"				
18	1	S-19-932	TUBING-9/64ID x 1/4OD CL POLYETHER				
19	2	S-19-555	TUBING-.05ID x 1/8OD CLR POLYETHER				
20	1	S-40-107	VALVE-SOLENOID (4-WAY)				
21	1	S-40-250	FITTING-BARB (TEE)				
22	1	S-40-129	FITTING-BARB (1/8 SWIVEL) 90DEG				

DRAWN BY: JOAN SMITH DATE: 2/92
 APPROVED BY:
 MATERIAL: ENTERPRISES, INC.
 FINISH: TITLE: FORWARD SHAFT CLUTCH ASSY (PNEUMATIC) (RS-305/40)
 DRAWING NO: S-82-866 REV: 0

Retrouvez notre support technique en ligne sur www.smg-systems.fr

SMG Systems

Pièces détachées



ITEM	DESCRIPTION	ROTATION	PART NO. CB-6
1	Retaining Ring		748-1-0038
2	Input Hub Standard • Anti-Overrun		540-6-0002 540-6-0003
3	Control Collar (Specify No. of Stops) Standard 1.8° Adjustable	CW CCW	266-6-0101 266-6-0201
4	Drive Spring	CW CCW	808-6-0001 808-6-0002
5	Anti-Overrun Spring	CW CCW	808-6-0005 808-6-0006
6	Output Assembly (Specify Bore) • Anti-Overrun Included		824-6-0002 (.75) 824-6-0003 (1.0)

ITEM	DESCRIPTION	ROTATION	PART NO. CB-6
7	Anti-Back Spring	CW CCW	808-6-0003 808-6-0004
8	Brake Spring	CW CCW	808-6-0001 808-6-0002
9	Brake Hub		540-6-0001
10	Plate Assembly	CW CCW	686-6-0001 686-6-0002
11	Button Head Cap Screw		797-1-0232
12	Actuator Assembly		102-1-0003
13	Actuator Limit Stop Assembly		816-1-0001

ITEM	DESCRIPTION	ROTATION	PART NO. CB-6
14	Button Head Cap Screw		797-1-0243
15	Lockwasher-Ext. Teeth		950-1-0046
16	Coil Assembly (Specify Voltage)		101-1-0023 (24DC) 101-1-0031 (115AC)
17	Flatwasher		950-1-0004
18	Lockwasher-Split		950-1-0018
19	Button Head Cap Screw		797-1-0233
20	Headless Soc. Set Screw		797-1-0027

*Anti-overrun is optional

Retrouvez notre support technique en ligne sur www.smg-systems.fr