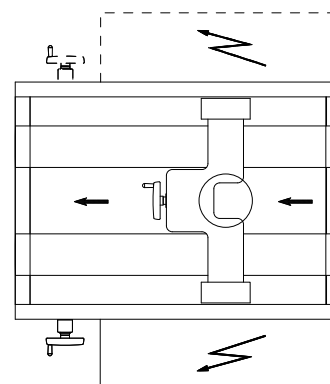
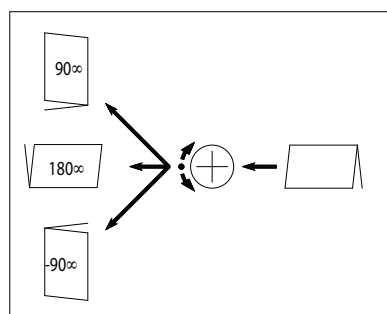
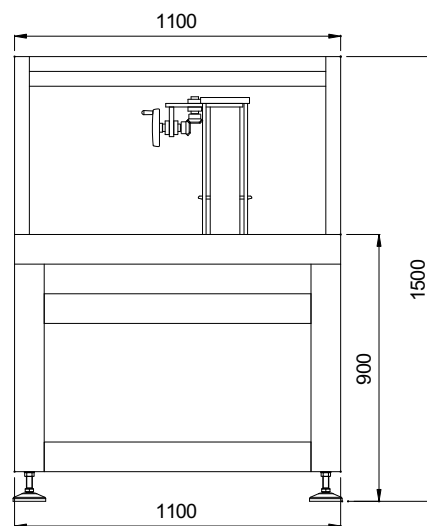
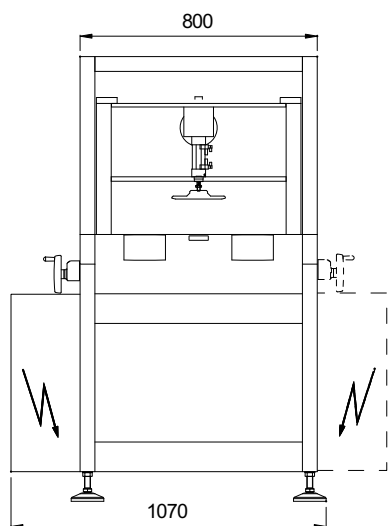


Girapile

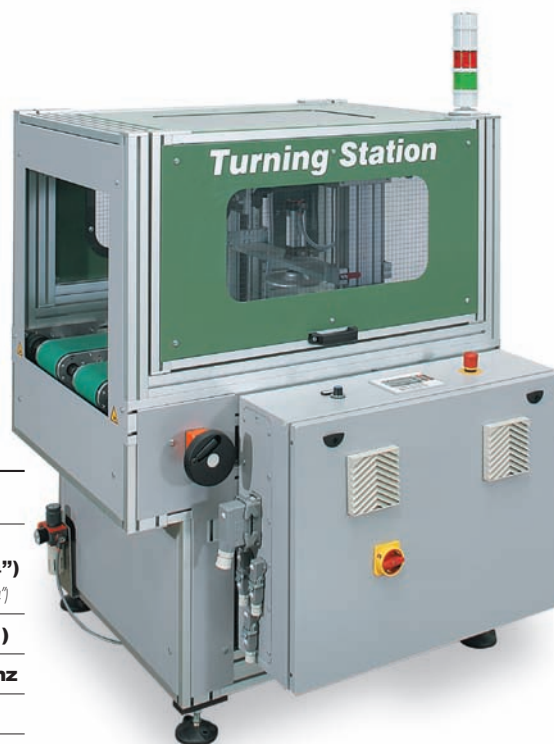
Turning Device with 90° Right - 90° Left - 180° Rotation



TURNING STATION

Technical details

Speed of the machine: <i>(depending on product's type and size)</i>	max. 60 turns/min;
Size of the products: <i>(length x width)</i>	min. 100 mm x 70 mm (40" x 2 3/4") max. 510 mm x 390 mm (20 5/64" x 15 23/64") <small>1) Maximum size in case of product to be turned is related to the diagonal of the product : maximum possible 550 mm - 21 23/64"</small>
Thickness of the products/piles:	min. 10 mm (3/8") max. 300 mm (11 3/4")
Power supply:	approx. 4 kw 3 x 400V PNE 50hz
Air supply:	4,5m³/h. (6 bar)
Weight of the machine:	circa 400 kg.



SOLEMA

SOLEMA: Via Carducci 18 • 24066 Pedrengo - BG - Italy • Telefono +39 • 035 • 654111 • Telefax +39 • 035 • 654112
Cod.Fisc. / P.IVA: 01378420168 • C.C.I.A.A di BG R.E.A. n° 200430 - Registro Imprese n° 01378420168

E-mail: info@solema.it • web: www.solema.it

